

AR2-5 INSTRUCTIONS FOR USE

Thank you for having chosen an LAE electronic product. Before installing the instrument, please read this instruction booklet carefully in order to ensure safe installation and optimum performance.

DESCRIPTION



Fig.1 - Front panel

- Info / Setpoint button.
- Manual defrost / Decrease button.

INDICATIONS

- Thermostat output
- Fan output
- Defrost output
- Activation of 2nd parameter set
- Alarm
- Manual activation / Increase button.
- Exit / Stand-by button.

INSTALLATION

- Insert the controller through a hole measuring 71x29 mm.
- Make sure that electrical connections comply with the paragraph "wiring diagrams". To reduce the effects of electromagnetic disturbance, keep the sensor and signal cables well separate from the power wires.
- Fix the controller to the panel by means of the suitable clips, by pressing gently; if fitted, check that the rubber gasket adheres to the panel perfectly, in order to prevent debris and moisture infiltration to the back of the instrument.
- Place the probe T1 inside the room in a point that truly represents the temperature of the stored product.
- Place the probe T2 on the evaporator where there is the maximum formation of frost.
- The function of probe T3 is determined by the parameter T3. With T3=DSP the probe measures the temperature to be displayed. With T3=CND the probe measures the condenser temperature, it must therefore be placed between the fins of the condensing unit. With T3=2EU the probe measures the temperature of the second evaporator and it must therefore be placed where there is the maximum formation of frost. With T3=NON, the third probe is disabled.

OPERATION

DISPLAY

During normal operation, the display shows either the temperature measured or one of the following indications:

dEF	Defrost in progress	hP	Condenser high pressure alarm
oFF	Controller in stand-by	h1	Room high temperature alarm
cL	Condenser clean warning	L0	Room low temperature alarm
oO	Door open alarm	E1	Probe T1 failure
hC	Condenser high temperature alarm	E2	Probe T2 failure
		E3	Probe T3 failure

INFO MENU

The information available in this menu is:

ti	Instant probe 1 temperature	thi	Maximum probe 1 temperature recorded
t2	Instant probe 2 temperature	tl0	Minimum probe 1 temperature recorded
t3	Instant probe 3 temperature	cnd	Compressor working weeks
rr	Minutes of the Real Time Clock	loc	Keypad state lock
hrs	Hours of the Real Time Clock		

** : displayed only if enabled (see §Configuration Parameters) **: displayed only if ACC > 0

Access to menu and information displayed.

- Press and immediately release button [I].
- With button [V] or [A] select the data to be displayed.
- Press button [I] to display value.
- To exit from the menu, press button [X] or wait for 10 seconds.
- Reset of THI, TLO, CND recordings**
 - With button [V] or [A] select the data to be reset.
 - Display the value with button [I].
 - While keeping button [I] pressed, use button [X].

SETPOINT : display and modification

- Press button [I] for at least half second, to display the setpoint value.
- By keeping button [I] pressed, use button [V] or [A] to set the desired value (adjustment is within the minimum SPL and the maximum SPH limit).
- When button [I] is released, the new value is stored.

STAND-BY

Button [SB], when pressed for 3 seconds, allows the controller to be put on a standby or output control to be resumed (with SB=YES only).

KEYPAD LOCK

The keypad lock avoids undesired, potentially dangerous operations, which might be attempted when the controller is operating in a public place. In the INFO menu, set parameter LOC=YES to inhibit all functions of the buttons. To resume normal operation of keypad, adjust setting so that LOC=NO.

SELECTION OF SECOND PARAMETER GROUP

It's possible to select control parameters between two different pre-programmed groups, in order for the fundamental control parameters to be adapted quickly to changing needs. Changeover from Group I to Group II (and vice versa) may take place MANUALLY by pressing button [M] for 2 seconds (with IISM=MAN), or AUTOMATICALLY when heavy duty conditions are detected (with IISM=HDD), or when IISM=DI2 and the AUXILIARY INPUT DI2 is activated (the activation of DI2 selects Group II). If IISM=NON, switchover to Group II is inhibited. The activation of Group II is signalled by the lighting up of the relevant LED on the controller display.

REAL TIME CLOCK SETTING

The Real Time Clock (RTC) can be adjusted directly from the Info Menu (see Setpoint modification procedure). Tens of minutes MIN range from 0 to 59 and Hours HRS range from 0 to 23. If RTC is adjusted just before an upcoming change of hour, verify the correctness of the setting again. The RTC does not automatically change upon Daylight Saving Time.

DEFROST

Automatic defrost. Defrost starts automatically at fixed time-intervals or at programmed scheduled (up to six per 24 hours).

- Timed defrost.** With DFM=TIM defrosts take place at regular intervals when the timer reaches the value of DFT. For example, with DFM=TIM and DFT=06, a defrost will take place every 6 hours.
- Scheduled defrost.** With DFM=RTC defrost takes place at time specified by DH1...DH6. The format of time is "HH.M", where HH are hours and M are tens of minutes. To disable one or more of the 6 scheduled defrosts, assign the value "--" (it is the value after "23.5"). Parameters DH1...DH6 are accessible both in the setup (see §Configuration Parameters) and by keeping button [M] pressed for 4 seconds during normal operation.
- Synchronised defrost.** With DI2=DSY and when more units (models AR2-5x3xxx only) are linked to each other as per Fig. 3, synchronised defrosts of all linked controllers will take place. The first controller which will start defrost, will also get all other controllers synchronised.
- Manual or remote defrost start.** If DFM=TIM it's possible to manually start a defrost, by pressing button [M] for 4 seconds. If DFM=RTC hold button [M] down for 4 seconds to display DH1, then press button [M] again for 4 seconds to manually start a defrost. Defrost may be also started remotely, if DI2=RDS, through the making of the auxiliary contact DI2.
- Defrost type.** Once defrost has started, Compressor and Defrost outputs are controlled according to parameter DTY. If FID=YES, the evaporator fans are active during defrost.

Defrost termination. The actual defrost duration is influenced by a series of parameters.

- Time termination:** T2=NO and T3 different from 2EU: the evaporator temperature is not monitored and defrost will last as long as time DTO.
- Temperature monitoring of one evaporator:** T2=YES and T3 different from 2EU. In this case, if the sensor T2 measures the temperature DLI before the time DTO elapses, defrost will be terminated in advance.
- Temperature monitoring of two evaporators:** T2=YES, T3=2EU, OAU=2EU. This function is for the control of two independent evaporators and it switches off the individual heating of the evaporator which gets to temperature DLI first, waiting for the second evaporator to get to that temperature before the time DTO elapses.
- Resuming thermostatic cycle.** When defrost is over, if DRN is greater than 0, all outputs will remain off for DRN minutes, in order for the ice to melt completely and the resulting water to drain. Moreover, if probe T2 is active (T2=YES), the fans will re-start when the evaporator gets to a temperature lower than FDD. Vice versa, if probe T2 is not active (T2=NO) or after defrost has come to an end, such condition does not occur by end of the time FTO, after FTO minutes have elapsed the fans will be switched on anyway.

Caution: if DFM=NON or C-H=HEA all defrost functions are inhibited; if DFT=0, automatic defrost functions are excluded. During a high pressure alarm, defrost is suspended. During defrost, high temperature alarm is bypassed.

CONFIGURATION PARAMETERS

- To get access to the parameter configuration menu, press button [M] + [I] for 5 seconds.
- With button [V] or [A] select the parameter to be modified.
- Press button [I] to display the value.
- By keeping button [I] pressed, use button [V] or [A] to set the desired value.
- When button [I] is released, the newly programmed value is stored and the following parameter is displayed.
- To exit from the setup, press button [X] or wait for 30 seconds.

PARAM	RANGE	DESCRIPTION
SCL	1°C; 2°C; °F	Readout scale. 1°C (with INP=SN4 only): measuring range -50/-9.9 ... 19.9/80°C 2°C : measuring range -50 ... 120°C °F : measuring range -55 ... 240°F <i>Caution: upon changing the SCL value, it is then absolutely necessary to re-configure the parameters relevant to the absolute and relative temperatures (SPL, SPH, SP, ALA, AHA, etc.).</i>
SPL	-50..SPH	Minimum limit for SP setting.
SPH	SPL..120°	Maximum limit for SP setting.
SP	SPL... SPH	Setpoint (value to be maintained in the room).
C-H	REF; HEA	Refrigerating (REF) or Heating (HEA) control mode.
HYS	1...10°	OFF/ON thermostat differential.
CRT	0...30min	Compressor rest time. The output is switched on again after CRT minutes have elapsed since the previous switchover. We recommend to set CRT=03 with HYS<2.0°.
CT1	0...30min	Thermostat output run when probe T1 is faulty. With CT1=0 the output will always remain OFF.
CT2	0...30min	Thermostat output stop when probe T1 is faulty. With CT2=0 and CT1>0 the output will always be ON. <i>Example:</i> CT1=4, CT2=6. In case of probe T1 failure, the compressor will cycle 4 minutes ON and 6 minutes OFF.
CSD	0..30min	Compressor stop delay after the door has been opened (active only if DS=YES).
DFM	NON; TIM; RTC	Defrost start mode NON : defrost function is disabled (the following parameter will be FID). TIM : regular time defrost. RTC : the defrost time is scheduled by parameters DH1, DH2...DH6.
DFT	0...99 hours	Time interval among defrosts. When this time has elapsed since the last defrost, a new defrost cycle is started.
DH1...DH6	HH.M	Scheduled time for defrost 1 to 6. HH hours from midnight, M tens of minutes. Accepted values go from 00.0 to 23.5. After "23.5" the value is "--" that means "skipped defrost". <i>Example:</i> DH1=8.3 means 8.30 AM.
DLI	-50...120°	Defrost end temperature.
DTO	1...120min	Maximum defrost duration.
DTY	OFF; ELE; GAS	Defrost type OFF: off cycle defrost (Compressor and Heater OFF). ELE: electric defrost (Compressor OFF and Heater ON). GAS: hot gas defrost (Compressor and Heater ON).
DPD	0...240sec	Evaporator pump down. At the beginning of defrost, defrost outputs (determined by DTY) are OFF for DPD seconds.
DRN	0...30min	Pause after defrost (evaporator drain down time).
DDM	RT; LT; SP; DEF	Defrost display mode. During defrost the display will show: RT: the real temperature; LT: the last temperature before defrost; SP: the current setpoint value; DEF: "dEF".
DDY	0...60min	Display delay. The display shows the information selected with parameter DDM during defrost and for DDY minutes after defrost termination.
FID	NO/YES	Fans active during defrost.
FDD	-50...120°	Evaporator fan re-start temperature after defrost.
FTO	0...120min	Maximum evaporator fan stop after defrost.
FCM	NON; TMP; TIM	Fan mode during thermostatic control. NON : The fans remain ON all the time; TMP : Temperature-based control. The fans are ON when the compressor is ON. When the compressor is turned OFF, the fans remain ON as long as the temperature difference Te-Ta is greater than FDT. The fans are turned ON again with FDH differential. (Te = Evaporator temperature, Ta = Air temperature); TIM : Timed-based control. The fans are ON when the compressor is ON. When the compressor is OFF, the fans switch ON and OFF according to parameteres FT1, FT2, FT3 (See Fig.2).
FDT	-120...0°	Evaporator-Air temperature difference for the fans to turn OFF after the compressor has stopped.
FDH	1...120°	Temperature differential for fan re-start. <i>Example:</i> FDT = -1, FDH=3. In this case, after the compressor has stopped, the fans are OFF when Te > Ta - 1 (FDT), whereas the fans are ON when Te < Ta - 4 (FDT-FDH).
FT1	0...180sec	Fan stop delay after compressor stop. See Fig. 2
FT2	0...30min	Timed fan stop. With FT2=0 the fans remain on all the time.
FT3	0...30min	Timed fan run. With FT3=0, and FT2 > 0, the fans remain off all the time.
ATM	NON; ABS; REL	Alarm threshold management. NON : all temperature alarms are inhibited (the following parameter will be ADO). ABS : the values programmed in ALA and AHA represent the real alarm thresholds. REL : the values programmed in ALR and AHR are alarm differentials referred to SP and SP+HYS.
ALA	-50... 120°	Low temperature alarm threshold.
AHA	-50... 120°	High temperature alarm threshold.
ALR	-12... 0°	Low temperature alarm differential. With ALR=0 the low temperature alarm is excluded.
AHR	0... 12°	High temperature alarm differential. With AHR=0 the high temperature alarm is excluded.
ATI	T1; T2; T3	Probe used for temperature alarm detection.
ATD	0... 120min	Delay before alarm temperature warning.

ADO	0... 30min	Delay before door open alarm warning.
AHM	NON; ALR; STP;	Operation in case of high condenser alarm NON : high condenser alarm inhibited. ALR : in case of alarm, "HC" flashes in the display and the buzzer is switched on. STP : in addition to the alarm symbols displayed, the compressor is stopped and defrosts are suspended.
AHT	-50...120°	Condensation temperature alarm (referred to T3 probe).
ACC	0...52 weeks	Condenser periodic cleaning. When the compressor operation time, expressed in weeks, matches the ACC value programmed, "CL" flashes in the display. With ACC=0 the condenser cleaning warning is disabled and CND disappears from Info Menu.
IISM	NON; MAN; HDD; DI2	Switchover mode to second parameter set NON : inhibition to use the second parameter group (the following parameter will be SB). MAN : button [M] switches the two parameter groups over. HDD : automatic switchover to the second parameter group, when heavy duty conditions are detected. DI2 : switchover to the second parameter group when the auxiliary DI2 input makes.
IISL	-50... IISH	Minimum limit for IISP setting.
IISH	IISL... 120°	Maximum limit for IISP setting.
IISP	IISL... IISH	Setpoint in mode 2.
IHY	1... 10°	OFF/ON differential in mode 2.
IIFC	NON;TMP; TIM	Fan control in mode 2. See FCM.
HDS	1...5	Controller sensitivity for the automatic switchover from Group I to Group II (1=minimum, 5=maximum).
IIDF	0..99 hours	Time interval among defrosts in mode 2.
SB	NO/YES	Stand-by button [SB] enabling.
DS	NO/YES	Door switch input enabling (closed when door is closed).
DI2	NON; HPS; IISM; RDS; DSY	DI2 digital input operation NON : digital input 2 not active. HPS : when contact opens a condensing unit high pressure alarm occurs. IISM : when contact makes the controller will use group 2 parameters. RDS : when contact makes a defrost is started (remote control). DSY : defrost synchronisation. The controllers, linked as per Fig. 3, will all start and end defrost together. The first controller in defrost will get defrost of all the others started. The last controller ending defrost will get defrost of all the others stopped.
LSM	NON; MAN; DOR	Light control mode NON : light output not controlled. MAN : light ouput controlled through button [M] (if OA1=LG.T). DOR : light ouput switched on when door is opened (if OA1=LG.T).
OA1	NON; 0-1; LGT; 2CU; 2EU; AL0; AL1	AUX output operation NON : output disabled (always off). 0-1 : the relay contacts follow the on/standby state of controller. LGT : output enabled for light control. 2CU : output programmed for the control of an auxiliary compressor. 2EU : output enabled for the control of the electrical defrost of a second evaporator. AL0 : contacts open when an alarm condition occurs. AL1 : contacts make when an alarm condition occurs.
2CD	0...120 sec	Auxiliary compressor start delay. If OA1=2CU the auxiliary output is switched on with a delay of 2CD seconds after the main compressor has cut-in. Both compressors are turned off at the same time.
INP	SN4; ST1	Temperature sensor selection. With INP=SN4, the probes must be the LAE models SN4.; with INP = ST1, the probes must be the LAE models ST1...
OS1	-12.5..12.5°C	Probe T1 offset.
T2	NO/YES	Probe T2 enabling (evaporator).
OS2	-12.5..12.5°C	Probe T2 offset.
T3	NON; DSP; CND; 2EU	Auxiliary probe T3 operation NON : probe T3 not fitted. DSP : temperature T3 to be displayed. CND : condenser temperature measurement. 2EU : second evaporator temperature measurement.
OS3	-12.5..12.5°C	Probe 3 offset.
TLD	1...30 min	Delay for minimum temperature (TLO) and maximum temperature (THI) logging.
SIM	0...100	Display slowdown.
ADR	1...255	AR2-5 address for PC communication.

WIRING DIAGRAMS

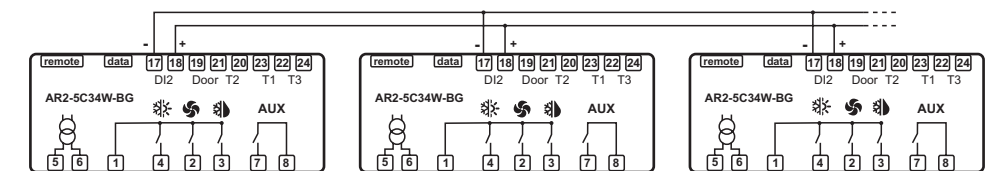
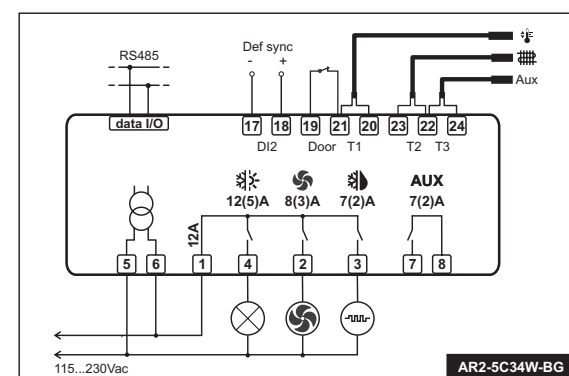


Fig.3 Connection for synchronising defrost start and termination



TECHNICAL DATA

Power supply
AR2-5...D 12Vac/dc ±10%, 3W
AR2-5...W 110 - 230Vac±10%, 50/60Hz, 3W

Relay output
Compressor 12(5)A 240Vac
Defrost 7(2)A 240Vac
Evap. Fan 8(3)A 240Vac
Auxiliary loads 7(2)A 240Vac

Input
NTC 10KΩ@25°C LAE Part No. SN4...
PTC 1000Ω@25°C LAE Part No. ST1...

Measurement Range
-50...120°C, -55...240°F
-50 / -9.9 ... 19.9 / 80°C (NTC10K only)

Measurement accuracy
<0.5°C within the measurement range

Real Time Clock battery
>150 hours; self-rechargeable

Operating conditions
-10 ... +50°C; 15%...80% r.H.

CE (Reference norms)
EN60730-1; EN60730-2-9;
EN55022 (Class B);
EN50082-1

lae
ELECTRONIC

VIA PADOVA, 25
31046 ODERZO /TV /ITALY
TEL. +39 - 0422 815320
FAX +39 - 0422 814073
www.lae-electronic.com
E-mail: sales@lae-electronic.com

AR2-5 INSTRUCCIONES DE USO

Les agradecemos por la preferencia demostrada eligiendo un producto LAE electronic. Antes de comenzar con la instalación del instrumento, lea detenidamente estas instrucciones para así obtener el mejor rendimiento y seguridad.

DESCRIPCIÓN



Fig.1 — Panel frontal

- Botón Info / Setpoint.
- Botón desescarche manual / disminución.

INDICACIONES

- Salida termostatación
- Salida ventiladores
- Salida termostatación
- Activación 2º set de parámetros
- Alarma
- Botón modalidad manual / aumento.
- Botón Salida / Stand-by.

INSTALACIÓN

- Introduzca el instrumento en un agujero de 71x29 mm;
- Realice las conexiones eléctricas tomando como referencia el párrafo "esquemas de conexión". Para reducir los efectos de las perturbaciones electromagnéticas, aleje los cables de las sondas y de señal de los conductores de potencia.
- Fije el instrumento al panel con las abrazaderas específicas cas, presionando correctamente; de estar incluida, la junta decaucho se debe colocar entre el marco del instrumento y el panel, comprobando que quede perfectamente adherida para evitar infiltraciones hacia la parte trasera del instrumento.
- Coloque la sonda T1 en un punto de la cámara que tenga perfectamente la temperatura del producto que se ha de conservar.
- Coloque la sonda T2 en el evaporador en el punto donde se forma más escarcha.
- La función de la sonda T3 está determinada por el parámetro T3. Con T3=DSP la sonda medirá la temperatura que se ha desvisualizar en la pantalla; con T3=CND la sonda medirá la temperatura del condensador, por consiguiente, habrá que colocarla entre las aletas de la unidad condensadora; con T3=2EU la sonda medirá la temperatura del segundo evaporador y deberá colocarse en el punto donde se forma más escarcha; con T3=NON se deshabilitará el uso de la tercera sonda.

FUNCIONAMIENTO

VISUALIZACIONES

Durante el funcionamiento normal, en la pantalla se visualiza la temperatura medida, o bien una de las siguientes indicaciones:

dEF	Desescarche ejecutándose	hP	Alarma de alta presión en el condensador
oFF	Instrumento en stand-by	h1	Alarma de alta temperatura en cámara
cL	Demanda limpieza condensador	Lo	Alarma de baja temperatura en cámara
do	Alarma puerta abierta	E1	Avería en la sonda T1
hc	Alarma alta temperatura en el condensador	E2	Avería en la sonda T2
		E3	Avería en la sonda T3

MENÚ INFO

Las informaciones disponibles en el menú Info son:

t1	Temperatura instantánea sonda 1	th	Temperatura máxima medida sonda 1
t2	Temperatura instantánea sonda 2	tl	Temperatura mínima medida sonda 1
t3	Temperatura instantánea sonda 3	cn	Semanas de funcionamiento del compresor
m	Minutos del Reloj en Tiempo Real	loc	Estado del teclado (bloqueo)
hr	Horas del Reloj en Tiempo Real		

*: se visualizan sólo si están habilitadas (ver §Parámetros de Configuración) **: se visualizan sólo si ACC > 0

Acceso al menú y visualización de las informaciones.

- Pulse y suelte inmediatamente el botón **I**.
- Con los botones **▼** o **▲** seleccione el dato que debe visualizar.
- Pulse el botón **I** para visualizar el valor.
- Para salir del menú, pulse el botón **I** o espere 10 segundos.

Reajuste de las memorizaciones TH1, TLO, CND

- Con los botones **▼** o **▲** seleccione el dato que debe reajustar.
- Visualice el valor con el botón **I**.
- Manteniendo pulsado el botón **I** pulse el botón **X**.

SETPOINT: visualización y modificación

- Pulse el botón **I** durante medio segundo como mínimo para visualizar el valor del setpoint.
- Manteniendo pulsado el botón **I** utilice los botones **▼** o **▲** para configurar el valor deseado (la regulación está comprendida dentro del límite mínimo SPL y máximo SPH).
- Al soltar el botón **I** el nuevo valor será memorizado.

STAND-BY

Pulsando durante 3 segundos el botón **I**, es posible conmutar el estado del regulador entre las funciones de las salidas y stand-by (sólo con SB=YES).

BLOQUEO DEL TECLADO

El bloqueo de los botones impide la ejecución de operaciones indeseables, potencialmente perjudiciales, que podrían activarse si el regulador funcionara en lugares abiertos al público. Para inhibir todos los mandos del teclado, configure LOC=YES en el menú INFO. Para restablecer la función normal, programe nuevamente LOC=NO

SELECCIÓN DEL SEGUNDO GRUPO DE PARÁMETROS

Es posible seleccionar los parámetros de regulación entre dos grupos diferentes preprogramados para adaptar en pocos segundos los parámetros fundamentales del regulador a las diferentes exigencias. El paso del Grupo I al Grupo II puede hacerse MANUALMENTE pulsando durante 2 segundos el botón **M** con IISM=MAN, AUTOMÁTICAMENTE en el momento de la detección de condiciones de uso muy duras con IISM=HDD, al cerrarse la ENTRADA AUXILIAR DI2 con IISM=DI2. Si IISM=NON el paso al grupo II se suspenderá. La activación del Grupo II es señalada por el encendido del LED colocado en el regulador.

RELOJ EN TIEMPO REAL

El Reloj en Tiempo Real (RTC) se puede programar directamente desde el Menú Info (véase procedimiento para la modificación del valor de fábrica). El campo de ajuste de los minutos MIN va de 0 a 59 y el campo de ajuste de las horas HRS va de 0 a 23. Si programa el RTC poco antes del cambio de hora, compruebe otra vez que el ajuste esté correcto. El RTC no lleva a cabo automáticamente el cambio entre Hora Legal y Hora Solar.

DESESCARCHE

Desescarche automático. El desescarche empieza automáticamente a intervalos fijos o a horas programadas (hasta seis en 24 horas).

- Desescarche temporizado.** Con DFM=TIM el aumento del timer es continuo y los desescarches se llevan a cabo con intervalos regulares. Por ejemplo, con DFM=TIM y DFT=06 se obtendrán ciclos de desescarche con una frecuencia de 6 horas entre sí.
- Desescarche programado.** Con DFM=RTC el desescarche se realiza en las horas programadas con los parámetros DH1...DH6. El formato de tiempo es "HH.M", del que HH son las horas y M son las decenas de minuto. Para deshabilitar una o más de 6 desescarches programados, fije el valor "-" (es decir el valor sucesivo a las "23.5"). Se puede acceder a los parámetros DH1...DH6 ya sea desde el control de configuración (ver § Parámetros de Configuración) o manteniendo pulsado el botón **I** 4 segundos durante el funcionamiento normal.
- Desescarche sincronizado.** Con DI2=DSY y utilizando más de una unidad AR2-5 conectadas como en la fig. 3 (ver la tabla de los parámetros), el desescarche se realiza de una manera sincronizada en todas las unidades conectadas. La unidad que primera activará el desescarche determinará el sincronismo de todas las otras.
- Desescarche manual o a distancia.** Si DFM=TIM, se puede poner en marcha el desescarche manualmente, manteniendo pulsado el botón **I** durante 4 segundos. Si DFM=RTC, pulse el botón **I** durante 4 segundos para visualizar DH1, a continuación vuelva a pulsar el botón **I** durante 4 segundos para poner en marcha un desescarche. El desescarche se puede activar a distancia, si DI2=RDS, a través del cierre del contacto auxiliar DI2.
- Tipo de desescarche.** Una vez comenzado un desescarche, las salidas Compresor y Desescarche se controlan según el parámetro DTY. Si FID=YES, los ventiladores del evaporador se activarán durante un desescarche.

Fin del desescarche. La duración efectiva del desescarche depende de una serie de parámetros.

- Fin por tiempo:** T2=NO y T3 diferente de 2EU: la temperatura del evaporador no es monitorizada y el desescarche siempre durará un tiempo equivalente a DTO.
- Monitorización de la temperatura en un evaporador:** T2=YES y T3 diferente de 2EU: Si la sonda T2 alcanzara la temperatura DLI dentro del tiempo DTO, el desescarche terminará antes.
- Monitorización de la temperatura en dos evaporadores:** T2=YES, T3=2EU, OA1=2EU. Esta modalidad está destinada al control independiente de dos evaporadores y prevé el apagado individual del calentamiento del evaporador que alcance primero la temperatura DLI esperando que, dentro del tiempo DTO, también el segundo alcance dicha temperatura.

Restablecimiento del ciclo termostático. Una vez concluido el desescarche, si DRN es mayor que 0, todas las salidas quedarán apagadas durante DRN minutos para permitir la fusión completa del hielo y la eliminación del agua que se haya formado. Además, si la sonda T2 estuviera activa (T2=YES), los ventiladores arrancarán cuando el evaporador tenga una temperatura inferior a FDD; sin embargo, si la sonda T2 no estuviera activa (T2=NO) o, después de la conclusión del desescarche, dicha condición no se produjera dentro del tiempo FTO, transcurridos FTO minutos, los ventiladores se activarán igualmente.

Atención: si DFM=NO o C-H=HEA, todas las funciones de desescarche estarán inhibidas; si DFT=0, se desactivarán las funciones

de desescarche automático. Durante una alarma de Alta Presión, el desescarche quedará suspendido; Durante un desescarche la alarma de alta temperatura quedará suspendida.

PARÁMETROS DE CONFIGURACIÓN

- Para acceder al menú de configuración de los parámetros, pulse durante 5 segundos los botones **I** + **I**.
- Con los botones **▼** o **▲** seleccione el dato que debe modificar.
- Pulse el botón **I** para visualizar el valor.
- Manteniendo pulsado el botón **I** utilice los botones **▼** o **▲** para configurar el valor deseado.
- Al soltar el botón **I** el nuevo valor será memorizado y se visualizará el parámetro siguiente.
- Para salir del menú, pulse el botón **X** o espere 30 segundos.

PAR	RANGE	DESCRIPCIÓN
SCL	1°C; 2°C; °F	Escala de lectura. 1°C (sólo con INP=SN4): rango de medición -50/-9.9 ... 19.9/80°C. 2°C : rango de medición -50 ... 120°C. °F : rango de medición -55... 240°F. Atención: cambiando el valor de SCL, deberán ser configurados obligatoriamente los parámetros de las temperaturas absolutas y relativas (SPL, SPH, SP, ALA, AHA, etc.).
SPL	-50..SPH	Límite mínimo para la regulación de SP.
SPH	SPL...120°	Límite máximo para la regulación de SP.
SP	SPL... SPH	Temperatura de conmutación (valor que se desea mantener en la cámara).
C-H	REF; HEA	Modo de regulación en refrigeración (REF) o calentamiento (HEA).
HYS	1...10°	Diferencial OFF/ON del termostato. Control en refrigeración (C-H=REF) Control en calentamiento (C-H=HEA)
CRT	0...30min	Tiempo de parada del compresor. El reencendido de la salida se produce únicamente si han transcurrido CRT minutos a partir del apagado anterior. Se aconseja CRT=03 con HYS<2.0°.
CT1	0...30min	Tiempo de activación de la salida del termostato durante una anomalía en la sonda T1. Con CT1=0 la salida siempre estará OFF.
CT2	0...30min	Tiempo de parada de la salida del termostato durante una anomalía en la sonda T1. Con CT2=0 y CT1=0 la salida siempre estará ON. Ejemplo: CT1=4, CT2=6: Si la sonda T1 se rompiera, el compresor funcionará con ciclos de 4 minutos ON y 6 minutos OFF.
CSD	0..30min	Retardo de la parada del compresor después de la apertura de la puerta (activo sólo si DS=YES).
DFM	NON; TIM; RTC	Modalidades de puesta en marcha de un ciclo de desescarche NON : la función de desescarche se deshabilita (el parámetro siguiente será FID). TIM : el timer para la activación del desescarche aumenta en modo continuo. RTC : el tiempo de desescarche se programa a través de los parámetros DH1, DH2...DH6.
DFT	0...99 horas	Valor del timer que, al ser alcanzado, se activa un ciclo de desescarche. Valor del timer que, al ser alcanzado, se activa un ciclo de desescarche.
DH1 ... DH6	HH.M	Horario de desescarche 1...6. HH horas de la medianoche, M decenas de minuto. Los valores aceptados van de 00.0 a 23.5. Después de "23.5" se visualizará "-...", o sea "desescarche no activo". Ejemplo: DH1=8.3 significa 8.30 de la mañana.
DLI	-50...120°	Temperatura de fin desescarche.
DTO	1...120min	Duración máxima del desescarche.
DTY	OFF; ELE; GAS	Tipo de desescarche. OFF: desescarche con parada (salidas Compresor y Desescarche OFF). ELE: desescarche eléctrico (salidas Compresor OFF y Desescarche ON). GAS: desescarche con gas caliente (salidas Compresor y Desescarche ON).
DPD	0...240sec	Pump down del evaporador. Al comienzo del desescarche, las salidas de desescarche (definidas con DTY) están apagadas durante DPD segundos.
DRN	0...30min	Pausa después de un desescarche (goteo del evaporador).
DDM	RT; LT; SP; DEF	Display durante el desescarche. Durante el desescarche, el display muestra: RT : temperatura real; LT : última temperatura antes del desescarche; SP : setpoint actual; DEF : "dEF".
DDY	0...60min	Retardo de la visualización. La pantalla muestra la información seleccionada con el parámetro DDM durante el desescarche y durante DDY minutos después de la terminación de desescarche.
FID	NO/YES	Activación de los ventiladores durante desescarche.
FDD	-50...120°	Temperatura de arranque de los ventiladores del evaporador después de un desescarche.
FTO	0...120min	Duración máxima del paro de los ventiladores del evaporador después de un desescarche.
FCM	NON; TMP; TIM	Control de los ventiladores del evaporador durante la termostatación. NON : Los ventiladores permanecen siempre en funcionamiento; TMP : Control por temperatura. Los ventiladores están activados cuando el compresor está en funcionamiento. Al apagarse el compresor, los ventiladores permanecen encendidos mientras la diferencia de temperatura Te-Ta sea mayor que FDT. Los ventiladores se vuelven a encender con el diferencial FDH. (Te = temperatura del evaporador, Ta = temperatura del aire). TIM : control temporizado. Los ventiladores están activados cuando el compresor está en funcionamiento. Al apagarse el compresor, los ventiladores se encienden y se apagan en función de los parámetros FT1, FT2 y FT3 (véase la Fig. 2).
FDT	-120...0°	Diferencia Evaporador – Aire para el apagado de los ventiladores tras la parada del compresor.
FDH	1...120°	Diferencial de temperatura para el reencendido de los ventiladores del evaporador. Ejemplo: FDT = -1, FDH=3. En este caso, tras la parada del compresor, los ventiladores se apagan cuando Te > Ta -1 (FDT), y vuelven a encenderse cuando Te < Ta -4 (FDT-FDH).
FT1	0...180sec	Retardo apagado ventiladores después del apagado del compresor. Véase la Fig.2
FT2	0...30min	Parada temporizada de los ventiladores. Con FT2=0 los ventiladores siempre quedarán funcionando.
FT3	0...30min	Carrera temporizada de los ventiladores. Con FT3=0 y FT2 > 0 los ventiladores siempre quedarán apagados.
ATM	NON; ABS; REL	Gestión de los umbrales de la alarma. NON: todas las alarmas de temperatura están suspendidas. (El parámetro sucesivo será ADO). ABS: Los valores programados en ALA y AHA representan los umbrales reales de alarma. REL: Los valores programados en ALR y AHR son los diferenciales de alarma respecto a SP y SP+HYS.
ALA	-50... 120°	Umbral de alarma de baja temperatura.

AHA	-50... 120°	Umbral de alarma de alta temperatura.
ALR	-12... 0°	Diferencial de alarma de baja temperatura. Con ALR=0 se desactiva la alarma de baja temperatura.
AHR	0... 12°	Diferencial de alarma de alta temperatura. Con AHR=0 se desactiva la alarma de alta temperatura.
ATI	T1; T2; T3	Selección de la sonda de referencia para la alarma de temperatura.
ADO	0... 120min	Retardo en la señalización de la alarma de temperatura.
ADT	0... 30min	Retardo en la señalización de la alarma de puerta abierta.
AHM	NON; ALR; STP;	Modo de funcionamiento en caso de alarma del condensador NON : inhibición de la alarma del condensador. ALR: en el caso de alarma, la pantalla destellará "HC" y se activará el zumbador. STP: además de las visualizaciones de alarma, el compresor se detendrá inmediatamente y los desescarches se suspenderán.
AHT	-50...120°	Temperatura de alarma condensación (sonda T3).
ACC	0..52 semanas	Limpieza periódica del condensador. Cuando el tiempo de funcionamiento del condensador, indicado en semanas, llegue al valor ACC, en la pantalla destellará "CL". Con ACC=0 se deshabilita la indicación para la limpieza del condensador.
IISM	NON; MAN; HDD; DI2	Modalidad de paso al segundo set de parámetros: NON: inhibición del uso del segundo grupo de parámetros (el parámetro sucesivo será SB) MAN: habilitación del botón M para conmutar los dos grupos de parámetros. HDD: paso automático al segundo grupo de parámetros al detectarse condiciones de uso muy duras. DI2: paso al segundo grupo de parámetros al cerrarse la entrada auxiliar DI2.
IISL	-50... IISH	Límite mínimo para la regulación de IISP.
IISH	IISL... 120°	Límite máximo para la regulación de IISP.
IISP	IISL... IISH	Setpoint en modalidad 2.
IIHY	1... 10°	Diferencial OFF/ON en modalidad 2.
IIFC	NON;TMP; TIM	Control de los ventiladores en modalidad 2. Ver FCM.
HDS	1...5	Sensibilidad del regulador para el paso automático del Grupo I al Grupo II (1=mínimo, 5=máximo).
IIDF	0...99 horas	Valor del cuentahoras para el inicio de un ciclo de desescarche en modalidad 2.
SB	NO/YES	Habilitación del botón I stand-by.
DS	NO/YES	Habilitación del sensor de entrada puerta (cerrado con la puerta cerrada).
DI2	NON; HPS; IISM; RDS; DSY	Funcionamiento de la entrada digital DI2 NON : entrada digital 2 desactivada. HPS : al abrirse, se produce una alarma de alta presión en la unidad condensadora. IISM : al cerrarse el contacto, el regulador utiliza como referencia los parámetros del grupo 2. RDS : al cerrarse el contacto se activa un desescarche (mando a distancia). DSY: sincronización del comienzo y término de los desescarches. Los instrumentos, conectados como en la Fig.3, comenzarán y concluirán el desescarche en el mismo instante. El primer instrumento en estado de desescarche dará la orden de start. El último instrumento en concluirlo emitirá la señal de stop.
LSM	NON; MAN; DOR	Modalidad mando luces. NON : salida luces no controlada. MAN : salida luces controlada por medio del botón M (si OA1=LG7). DOR : salida luces activada al abrirse la puerta (si OA1=LG7).
OA1	NON; 0-1; LGT; 2CU; 2EU; AL0; AL1	Funcionamiento de la salida auxiliar AUX: NON : salida deshabilitada (siempre apagada). 0-1 : los contactos del relé siguen el estado on/stand-by del regulador. LGT : salida habilitada para el control de las luces. 2CU : salida programada para el mando de un compresor auxiliar. 2EU : salida habilitada para el control del desescarche eléctrico del segundo evaporador. AL0 : apertura de los contactos al producirse una condición de alarma. AL1 : cierre de los contactos al producirse una condición de alarma.
2CD	0...120 sec	Retardo del encendido del compresor auxiliar. Si OA1=2CU, la salida auxiliar se activará 2CD segundos después de que el compresor principal se haya puesto en marcha. El apagado siempre será simultáneo.
INP	SN4; ST1	Selección del sensor de temperatura. Con INP=SN4 las sondas deben corresponder a los modelos LAE SN4.; con INP=ST1 deben corresponder a los modelos LAE ST1...
OS1	-12.5..12.5°	Corrección medición sonda T1.
T2	NO/YES	Habilitación de la sonda T2 (evaporador).
OS2	-12.5..12.5°	Corrección medición sonda T2.
T3	NON; DSP; CND; 2EU	Uso de la sonda auxiliar T3: NON : sonda T3 ausente. DSP : visualización de la temperatura T3 en la pantalla. CND: medición de la temperatura del condensador. 2EU : medición de la temperatura del segundo evaporador.
OS3	-12.5..12.5°	Corrección medición sonda 3.
TLD	1...30 min	Retardo en la memorización de las temperaturas mínimas (TLO) y máximas (THI) alcanzadas.
SIM	0...100	Deceleración pantalla.
ADR	1...255	Dirección de AR2-5 para la comunicación con el PC.

ESQUEMAS DE CONEXIÓN

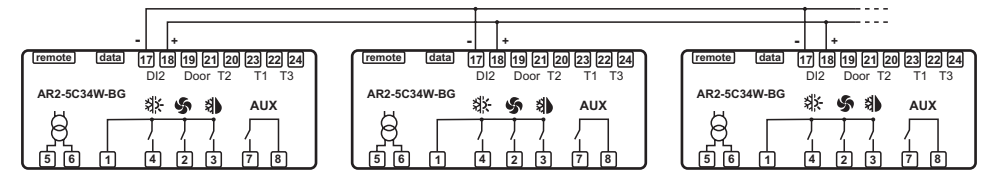
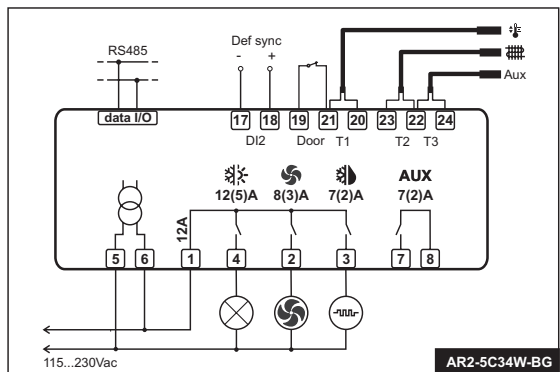


Fig3.Conexión para la sincronización del comienzo y del término de los desescarches



INSTRUCTIONS FOR USE

ISTRUZIONI DE USO

lae
ELECTRONIC

VIA PADOVA, 25
31046 ODERZO /TV /ITALY
TEL. +39 - 0422 815320
FAX +39 - 0422 814073
www.lae-electronic.com
E-mail: sales@lae-electronic.com

DATOS TÉCNICOS

Alimentación	
AR2-5...D	12Vac/dc ±10%, 3W
AR2-5...W	110 - 230Vac±10%, 50/60Hz, 3W

Salidas relé	
Compresor	12(5)A 240Vac
Desescarche	7(2)A 240Vac
Ventiladores Evap.	8(3)A 240Vac
Cargas auxiliares	7(2)A 240Vac

Entradas	
NTC 10KQ@25°C	LAE Part No. SN4...
PTC 1000Q@25°C	LAE Part No. ST1...

Rango de medición

-50... 120°C, -55... 240°F
-50 / -9.9 ... 19.9 / 80°C (solo con NTC10K)

Precisión de medición

<0.5°C en el rango de medición

Batería del Reloj a Tiempo Real

>150 horas, autorecargable

Condiciones de funcionamiento

-10 ... +50°C; 15%...80% H.r.

CE (Normativas de referencia)

EN60730-1; EN60730-2-9; EN55022 (Class B); EN50082-1

AR2-5

INSTRUCTIONS FOR USE

ISTRUZIONI DE USO

EN

ES

0L0002R01-02