

AC1-27 INSTRUCTION FOR USE

Thank you for having chosen a LAE electronic product. Before installing the instrument, please read these instructions carefully to ensure maximum performance and safety.

DESCRIPTION

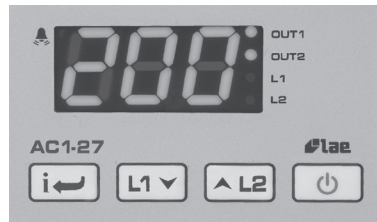


Fig.1 - Front panel

INDICATION

- OUT1** Channel 1 output
- OUT2** Channel 2 output
- L1** Channel 1 setpoint modification
- L2** Channel 2 setpoint modification
- Alarm**
- Info / Enter button**
- Modify Setpoint 1 / Decrease button**
- Increase / Modify Setpoint 2 button**
- Exit / Stand-by button**

INSTALLATION

- The AC1-27 controller, size 72x94x47 mm (WxHxD), is to be secured to a DIN rail in such a position as to ensure that no liquid infiltrates causing serious damage and compromising safety;
- Make sure that electrical connections comply with the paragraph "wiring diagrams". To reduce the effects of electromagnetic disturbance, keep the sensor and signal cables well separate from the power wires.
- Place the probe T1 inside the room in a point that truly represents the temperature of the stored product.

OPERATION

DISPLAY

During normal operation, the display shows either the temperature measured or one of the following indications:

OFF	Controller in stand-by	TUN	Controller in autotuning
or	Probe T1 overrange or failure	E1	In tuning: timeout1 error
hi	Room high temperature alarm	E2	In tuning: timeout2 error
Lo	Room low temperature alarm	E3	In tuning: overrange error

MENU INFO

The information available in this menu is:

eh	Maximum temperature recorded	LOC	Keypad state lock
el	Minimum temperature recorded		

Access to menu and information displayed.

- Press and immediately release button **[I]**.
- With button **[V]** or **[A]** select the data to be displayed.
- Press button **[I]** to display value.
- To exit from the menu, press button **[O]** or wait for 10 seconds.
- Reset of THI, TLO recordings**
- With button **[V]** or **[A]** select the data to be reset.
- Display the value with button **[I]**.
- While keeping button **[I]** pressed, use button **[O]**.

CHANNEL 1 SETPOINT (display and modification of desired temperature value)

- Press and release button **[L1]**: the LED L1 blinks, the display shows 1SP for 1 second and then the setpoint associated value.
- Press buttons **[V]** or **[A]** to set the desired value (adjustment is within the minimum **SPL** and maximum **SPH** limit).
- To store the new value press button **[O]** or wait for 10 seconds.
- To go back to normal mode without saving the new value, press **[O]**.

CHANNEL 2 SETPOINT

- With the auxiliary output set as thermostat control (**OAU=THR**), it's possible to modify setpoint 2 during the normal operation of the controller.
- Press and release button **[L2]**: the LED L2 blinks, the display shows 2SP for 1 second if setpoint 2 is an absolute threshold (**2SM=ABS**), alternatively the display shows 2DF, if setpoint 2 is a threshold relative to setpoint 1 (**2SM=REL**), then the value associated to the parameter appears.
- Press buttons **[V]** or **[A]** to set the desired value.
- To store the new value press button **[O]** or wait for 10 seconds.
- To go back to normal mode without saving the new value, press **[O]**.

STAND-BY

Button **[O]**, when pressed for 3 seconds, allows the controller to be put on a standby or output control to be resumed (with **SB=YES** only).

KEYPAD LOCK

The keypad lock avoids undesired, potentially dangerous operations, which might be attempted when the controllers is operating in a public place. In the INFO menu, set parameter **LOC=YES** to inhibit all functions of the buttons. To resume normal operation of keypad, adjust setting so that **LOC=NO**.

CONTROLLER AUTOTUNING IN PID MODE

Before starting

In the setup mode (see configuration parameters): set **1CM=PID**; make sure that **1CH** matches the desired operation mode (**1CH=REF** for refrigerating control, **1CH=HEA** for heating control); then adjust setpoint **1SP** at the desired value.

Start autotuning

During normal operation, keep buttons **[I]** + **[V]** pressed for 3 seconds. **1CT** blinks on the display. With **[I]** + **[V]** or **[I]** + **[A]** set the cycle time in order to define the dynamic of the process to be controlled. To abort the autotuning function, press **[O]**; to start autotuning press **[V]** + **[A]** or wait for 30 seconds.

During autotuning

During the entire autotuning phase, the display alternates TUN with the actual temperature measured. In case of power failure, when power is resumed, after the initial autotest phase, the controller resumes the autotuning function. To abort the autotuning, without modifying the previous control parameters, keep button **[O]** pressed for 3 seconds. After the autotuning has taken place successfully, the controller updates the control parameters and start to control.

Errors

- If the autotuning function failed, the display shows an error code:
- E1** timeout1 error: the controller could not bring the temperature within the proportional band. Increase **1SP** in case of heating control, vice versa, decrease **1SP** in case of refrigerating control and re-start the process.
- E2** timeout2 error: the autotuning has not ended within the maximum time allowed (1000 cycle times). Re-start the autotuning process and set a longer cycle time **1CT**.
- E3** temperature overrange: check that the error was not caused by a probe malfunction, then decrease **1SP** in case of heating control, vice versa increase **1SP** in case of refrigerating control and then re-start the process.
- To eliminate the error indication and return to the normal mode, press button **[O]**.

Control improvement

- To reduce overshoot, reduce the integral action reset **1AR**
- To increase the response speed of the system, reduce the proportional band **1PB**. Caution: doing this makes the system less stable.
- To reduce swings in steady-state temperature, increase the integral action time **1IT**; system stability is thus increased, although its response speed is decreased.
- To increase the speed of response to the variations in temperature, increase the derivative action time **1DT**. Caution: a high value makes the system sensitive to small variations and it may be a source of instability.

RECALIBRATION

- Have a precision reference thermometer or a calibrator to hand. Ensure that **OS1=0** and **SIM=0**.
- Switch the controller off then on again.
- During the auto-test phase, press buttons **[I]** + **[A]** and keep them pressed till the controller shows **0AD**.
- With buttons **[V]** and **[A]** select **0AD** or **SAD**: **0AD** allows a calibration of 0, inserting a constant correction over the whole scale of measurement. **SAD** allows a calibration of the top part of the measurement scale with a proportional correction between the calibration point and 0.
- Press **[I]** to display the value and then use **[I]** + **[A]** or **[I]** + **[V]** to make the read value coincide with the value measured by the reference instrument.
- Exit from calibration by pressing button **[O]**.

CONFIGURATION PARAMETERS

- To get access to the parameter configuration menu, press button **[I]** + **[I]** for 5 seconds.
- With button **[V]** or **[A]** select the parameter to be modified.
- Press button **[I]** to display the value.
- By keeping button **[I]** pressed, use button **[V]** or **[A]** to set the desired value.
- When button **[I]** is released, the newly programmed value is stored and the following parameter is displayed.
- To exit from the setup, press button **[O]** or wait for 30 seconds.

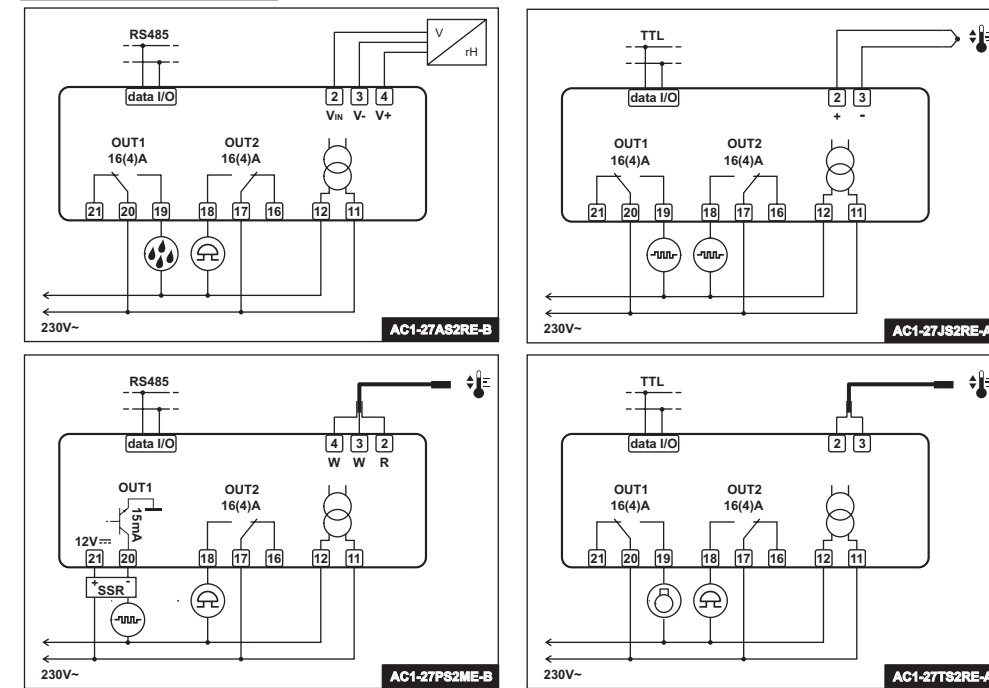
PAR	RANGE	DESCRIPTION
SCL	1°C; 2°C; °F	Readout scale (see table of input specifications) <i>Caution: upon changing the SCL value, it is then absolutely necessary to reconfigure the parameters relevant to the absolute and relative temperatures (SPL, SPH, 1SP, 1HY etc..)</i>
SPL	-50°...SPH	Minimum limit for 1SP setting
SPH	SPL...150°	Maximum limit for 1SP setting.
1SP	SPL... SPH	Setpoint (value to be maintained in the room).
1CM	HY; PID	Control mode. With 1CM=HY you select control with hysteresis: parameters 1HY , 1T0 and 1T1 are used. With 1CM=PID you select a Proportional-Integral-Derivative control mode: parameters 1PB , 1IT , 1DT , 1AR , 1CT will be used
1CH	REF; HEA	Refrigerating (REF) or Heating (HEA) control mode.
1CM=HY	1HY	0...19.9° OFF/ON thermostat differential. With 1HY=0 the output is always off.
	1T0	0...30min Minimum off time. After output 1 has been turned off, it remains inactive for 1T0 minutes regardless of the temperature value measured.
	1T1	0...30min Minimum on time. (the following parameter will be 1PF). After output 1 has been turned on, it remains active for 1T1 minutes regardless of the temperature value measured.
1CM=PID	1PB	0...19.9° Proportional bandwidth. Temperature control takes place by changing the ON time of the output: the closer the temperature to the setpoint, the less time of activation. A small proportional band increases the promptness of response of the system to temperature variations, but tends to make it less stable. A purely proportional control stabilises the temperature within the proportional band but does not cancel the deviation from setpoint. With 1PB=0 the output is always off.
	1IT	0...999s Integral action time. The steady-state error is cancelled by inserting an integral action. The integral action time, determines the speed with which the steady-state temperature is achieved, but a high speed (1IT low) may be the cause of overshoot and instability in the response. With 1IT=0 the integral control is disabled.
	1DT	0...999s Derivative action time. Response overshoot may be reduced by inserting a derivative Action. A high derivative action (1DT high) makes the system very sensitive to small temperature variations and causes instability. With 1DT=0 the derivative control is disabled.
	1AR	0...100% Reset of integral action time referred to 1PB Decreasing the parameter 1AR reduces the integral control action zone, and consequently the overshoot (see figure on paragraph 1IT).
1CT	1...255s Cycle time. It's the period in which the output ON time changes. The quicker the system to be controlled reacts to temperature variations, the smaller the cycle time must be, in order to obtain higher temperature stability and less sensitivity to load variations.	
1PF	ON/OFF	Output state in case of probe failure.
OAU	NON; THR; AL0; AL1	AUX output operation. NON : output disabled (always off). (the next parameter will be ATM) THR: output programmed for second thermostat control (the next parameter will be 2SM). AL0: contacts open when an alarm condition occurs (the next parameter will be ATM). AL1: contacts make when an alarm condition occurs (the next parameter will be ATM).
2SM	2SP	SPL...SPH Auxiliary output switchover temperature (the next parameter will be 2CH)
	2DF	-19.9...19.9° Temperature differential relative to 1SP . The auxiliary output setpoint is equal to 1SP+2DF

OAU=THR	2CH	REF; HEA	Refrigerating control (REF) or heating control mode (HEA) for the auxiliary output.
	2HY	0...19.9°	Differential of thermostat 2. With 2HY=0 the auxiliary output always remains off.
	2T0	0...30min	Minimum off time. After output 2 has been turned off, it remains inactive for 2T0 minutes regardless of the temperature value measured.
	2T1	0...30min	Minimum on time. After output 2 has been turned on, it remains active for 2T1 minutes regardless of the temperature value measured.
ATM	2PF	ON/OFF	Auxiliary output state in case of probe failure.
	NON ; ABS ; REL		Alarm threshold management. NON: all temperature alarms are inhibited (the following parameter will be SB). ABS: the values programmed in ALA and AHA represent the real alarm thresholds. REL: the values programmed in ALR and AHR are alarm differentials referred to 1SP and 1SP+1HY .
ATM=ABS	ALA	-50°...AHA	Low temperature alarm threshold.
	AHA	ALA...150°	High temperature alarm threshold.
ATM=REL	ALR	-12.0...0°	Low temperature alarm differential. With ALR=0 the low temperature alarm is excluded
	AHR	0...12.0°	High temperature alarm differential. With AHR=0 the high temperature alarm is excluded
ATD	0...120min		Delay before alarm temperature warning.
SB	NO/YES		Stand-by button enabling.
INP	0mA/4mA, T1/T2 ST1/SN4		Sensor input selection (see table of input specifications). <i>In the models AC1-27A..., AC1-27J..., AC1-27T... only.</i>
RLO	-19.9...RHI		Minimum range value (in the models AC1-27A..., AC1-27T... only) RLO takes the minimum value measured by the transmitter (i.e. the value matching 0V, 0/4mA).
RHI	RLO...99.9		Maximum range value (in the models AC1-27A..., AC1-27T... only) RHI takes the maximum value measured by the transmitter (i.e. the value matching 1V, 20mA)
OS1	-12.5...12.5°		Probe T1 offset.
TLD	1...30min		Delay for minimum temperature (TLO) and maximum temperature (THI) logging.
SIM	0...100		Display slowdown
ADR	1...255		AC1-27 address for PC communication

INPUT SPECIFICATIONS

MODEL	INPUT	RANGE [MEASUREMENT ACCURACY]		
		SCL=1°C	SCL=2°C	SCL=°F
AC1-27A...	0+1V	RLO+RHI [± 3 mV]		---
AC1-27I...	INP = 0mA	RLO+RHI [± 0.2 mA]		---
	INP = 4mA	RLO+RHI [± 0.2 mA]		---
AC1-27J...	INP=T1	TC "J"	-50/+750°C [± 3 °C]	-60/+999°F [± 5 °F]
	INP=T2	TC "K"	-50/+999°C [± 3 °C]	-60/+999°F [± 5 °F]
AC1-27P...	PT100	-50/-19.9+99.9/150°C [± 0.3 °C]	-100/+850°C [± 1 °C]	-150/+999°F [± 4 °F]
AC1-27T...	INP=ST1	PTC 1000 Ω (LAE ST1...)	-50/+150°C [± 0.3 °C(-30/+130°), ± 1 °C]	-60/+300°F [± 0.6 °F(-20/+260°), ± 2 °F]
	INP=SN4	NTC 10K Ω (LAE SN4...)	-40/+125°C [± 0.3 °C(-40/+100°), ± 1 °C]	-40/+260°F [± 0.6 °F(-40/+210°), ± 2 °F]

WIRING DIAGRAMS



TECHNICAL DATA

Power supply
AC1-27...D 12Vac/dc $\pm 10\%$, 2W
AC1-27...E 230Vac $\pm 10\%$, 50/60Hz, 2W
AC1-27...U 110Vac $\pm 10\%$, 50/60Hz, 2W

Relay outputs (AC1-27..R..)
OUT1 16(4)A
OUT2 16(4)A

SSR drive (AC1-27..M..)
OUT1 15mA 12Vdc

Inputs
see table of input specifications

Measurement range
see table of input specifications

Measurement accuracy
see table of input specifications

Operating conditions
-10 ... +50°C; 15%...80% r.H.

CE (Reference Norms)
EN60730-1; EN60730-2-9;
EN55022 (Class B); EN50082-1

Front protection
IP55

lae
ELECTRONIC
VIA PADOVA, 25
31046 ODERZO /TV /ITALY
TEL. +39 - 0422 815320
FAX +39 - 0422 814073
www.lae-electronic.com
E-mail: sales@lae-electronic.com

AC1-27 INSTRUCCIONES DE USO

Les agradecemos por la preferencia demostrada eligiendo un producto LAE electronic. Antes de comenzar con la instalación del instrumento, lea detenidamente estas instrucciones para así obtener el mejor rendimiento y seguridad.

DESCRIPCIÓN

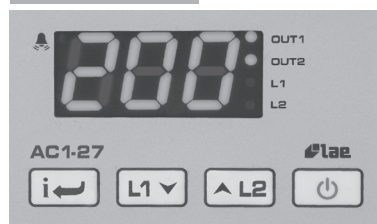


Fig. 1 — Panel frontal

INDICACIONES

- OUT1** Salida canal 1
- OUT2** Salida canal 2
- L1** Modificación setpoint canal 1
- L2** Modificación setpoint canal 2
- Alarma
- Botón Info / Enter. Botón aumento / modificación setpoint 2
- Botón modificación setpoint 1 / disminución.
- Botón salida / Stand-by.

INSTALACIÓN

- El instrumento tiene estas dimensiones: 72x94x47 (LxHxP); tiene que ser fijado a una barra DIN en una posición que pueda garantizar la imposibilidad de instalaciones que podrían causar graves daños o comprometer la seguridad;
- Realice las conexiones eléctricas tomando como referencia el párrafo "esquemas de conexión". Para reducir los efectos de las perturbaciones electromagnéticas, aleje los cables de las sondas y de señal de los conductores de potencia
- Coloque la sonda T1 en un punto de la cámara que tenga perfectamente la temperatura del producto que se ha de conservar.

FUNCIONAMIENTO

VISUALIZACIONES

Durante el funcionamiento normal, en la pantalla se visualiza la temperatura medida, o bien una de las siguientes indicaciones:

FF	Regulador en standby	Lun	Instrumento en autocalibración
or	Fuera de tolerancia o rotura T1	E1	En calibración: error de timeout1
hi	Alarma de alta temperatura en cámara	E2	En calibración: error de timeout2
Lo	Alarma de baja temperatura en cámara	E3	En calibración: error de tolerancia

MENÚ INFO

Las informaciones disponibles en el menú Info son:

th	Temperatura máxima medida sonda 1	Loc	Estado del teclado (bloqueo)
tl	Temperatura mínima medida sonda 1		

Acceso al menú y visualización de las informaciones.

- Pulse y suelte inmediatamente el botón **Info**.
- Con los botones **Up** o **Down** seleccione el dato que debe visualizar.
- Pulse el botón **Info** para visualizar el valor.
- Para salir del menú, pulse el botón **Stand-by** o espere 10 segundos.

Reajuste de las memorizaciones THI, TLO

- Con los botones **Up** o **Down** seleccione el dato que debe reajustar.
- Visualice el valor con el botón **Info**.
- Manteniendo pulsado el botón **Info** pulse el botón **Stand-by**.

SETPOINT CANAL 1 (visualización y modificación del valor de temperatura deseado)

- Pulsar y dejar la tecla **L1**: el led L1 relampaguea, la pantalla visualiza para 1 segundo **1SP** y después el valor asociado al setpoint
- Utilizar las teclas **Up** o **Down** para asentar el valor deseado (la regulación está comprendida entre el límite mínimo **SPL** y máximo **SPH**).
- Para memorizar el nuevo valor pulsar la tecla **Info** o attendere 10s.
- Para volver a la modalidad normal sin salvaguardar el nuevo valor pulsar **Stand-by**.

SETPOINT CANAL 2

- Con la salida auxiliar asentada como termostato (**OAU=THR**), es posible modificar el setpoint 2 durante el funcionamiento normal del regulador.
- Pulsar y dejar la tecla **L2**: el led L2 relampaguea, la pantalla visualiza para un segundo **2SP**, si el setpoint 2 está asentado en modalidad absoluta (**2SM=ABS**), o visualiza **2DF** si el setpoint 2 es relativo al setpoint 1 (**2SM=REL**), y enseguida el valor asociado al parámetro.
- Utilizar las teclas **Up** o **Down** para imposter el valor deseado.
- Para memorizar el nuevo valor pulsar la tecla **Info** o atender 10 segundos.
- Para volver a la modalidad normal sin salvaguardar el nuevo valor pulsar **Stand-by**.

STAND-BY

Pulsando durante 3 segundos el botón **Stand-by**, es posible conmutar el estado del regulador (sólo las funciones de las salidas y standby (sólo con **SB=YES**)).

BLOQUEO DEL TECLADO

El bloqueo de los botones impide la ejecución de operaciones indeseables, potencialmente perjudiciales, que podrían activarse si el regulador funcionara en lugares abiertos al público. Para inhibir todos los mandos del teclado, configure **LOC=YES** en el menú INFO; para restablecer la función normal, programe nuevamente **LOC=NO**.

AUTOCALIBRACIÓN DEL REGULADOR EN MODALIDAD PID

Antes de empezar

En modalidad setup (ver los parámetros de configuración): asentar **1CM=PID**; asegurarse de que **1CH** corresponda a la modalidad de funcionamiento deseada (**1CH=REF** para la refrigeración, **1CH=HEA** para la calefacción); fijar el setpoint **1SP** al valor deseado.

Empezar la función

Durante el funcionamiento normal, tener pulsadas las teclas **Info** + **Stand-by** para 3 segundos. En la pantalla relampaguea **1CT**, con **Info** + **Stand-by** asentar el tiempo de ciclo para poder caracterizar la dinámica del proceso que tiene que ser controlado. Para abandonar la función de autotuning pulsar **Stand-by**; para empezar el autotuning pulsar **Info** + **Stand-by** o esperar para 30 segundos.

Durante la autocalibración

Durante toda la etapa de autocalibración la pantalla muestra alternativamente TUN y el valor de la temperatura medida. Si se corta la alimentación, al volverlo a encender, después de la etapa de autotest inicial, el instrumento reanudará la función de autocalibración. Para abandonar la función de autocalibración sin modificar los parámetros de control, mantenga pulsado durante 3 segundos el botón **Stand-by**. Una vez concluida correctamente la autocalibración, el controlador actualizará el valor de los parámetros de control y comenzará a controlar.

Errores

Si la función de autocalibración no obtuviera resultados positivos, en la pantalla destellará un código de error:

- E1 error de timeout1: el controlador no pudo llevar la temperatura dentro de la banda proporcional. Aumente **1SP** en el caso de control en calentamiento; viceversa, disminuya **1SP** en refrigeración y reactive el procedimiento.
- E2 error de timeout2: la autocalibración no ha concluido dentro del tiempo máximo establecido (1000 tiempos de ciclo). Reactive el procedimiento de autocalibración y configure un tiempo de ciclo **1CT** mayor.
- E3 temperatura fuera del rango: controle que el error no haya sido causado por un desperfecto de la sonda, disminuya **1SP** en el caso de control en calentamiento; viceversa, aumente **1SP** en refrigeración y reactive el procedimiento.
- Para eliminar la indicación de error y volver al modo normal, pulse el botón **Stand-by**.

Mejoramiento del control

- Para reducir la sobreelongación, disminuya el reset de la acción integral **1AR**;
- Para aumentar la celeridad del sistema, disminuya la banda proporcional **1PB**; atención: de esta manera el sistema será menos estable;
- Para reducir las oscilaciones de la temperatura en régimen de funcionamiento, aumente el tiempo de la acción integral **1IT**; así se aumenta la estabilidad del sistema, pero disminuye su celeridad;
- Para aumentar la velocidad de respuesta a las variaciones de temperatura, aumente el tiempo de la acción derivada **1DT**; atención: un valor alto hace que el sistema sea sensible a las pequeñas variaciones y puede ser fuente de inestabilidad.

RECALIBRACIÓN

- Procúrese un termómetro de referencia de precisión o un calibrador; Controle que **OS1=0** y **SIM=0**;
- Apague y encienda el instrumento;
- Durante la etapa de autotest, pulse los botones **Info** + **Stand-by** y manténgalos pulsados hasta que el instrumento muestre **0AD**;
- Con los botones **Up** y **Down** seleccione **0AD** o **SAD**: **0AD** permite regular el 0 insertando una corrección constante en toda la escala de medida. **SAD** permite regular la parte alta de la escala de medida con una corrección proporcional entre el punto de regulación y el 0.
- Pulse **Info** para visualizar el valor y utilice **Info** + **Stand-by** o **Down** para hacer coincidir el valor leído con aquel medido por el instrumento de referencia;
- Para salir de la calibración, pulse el botón **Stand-by**.

PARÁMETROS DE CONFIGURACIÓN

- Para acceder al menú de configuración de los parámetros, pulse durante 5 segundos los botones **Info** + **Stand-by**.
- Con los botones **Up** o **Down** seleccione el parámetro que deba modificar.
- Pulse el botón **Info** para visualizar el valor.
- Manteniendo pulsado el botón **Info**, utilice los botones **Up** o **Down** para configurar el valor deseado.
- Al soltar el botón **Info** el nuevo valor será memorizado y se visualizará el parámetro siguiente.
- Para salir del setup, pulse el botón **Stand-by** o espere 30 segundos.

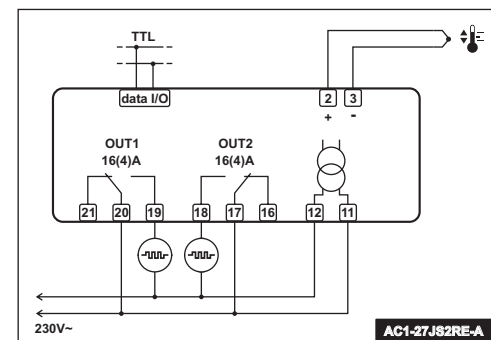
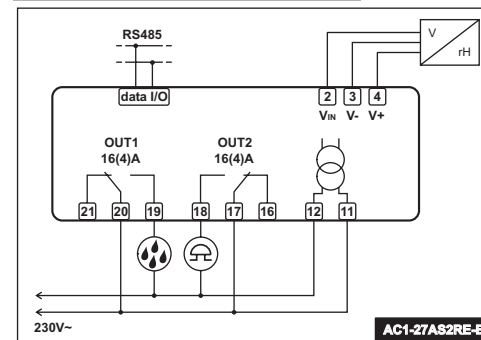
PAR	RANGO	DESCRIPCIÓN
SCL	1°C; 2°C; °F	Escala de lectura (ver la tabllila características entrada) Atención: cambiando el valor de SCL, deberán ser configurados obligatoriamente los parámetros de las temperaturas absolutas y relativas (SPL, SPH, 1SP, 1HY etc..)
SPL	-50°...SPH	Límite mínimo para la regulación de 1SP .
SPH	SPL...150°	Límite máximo para la regulación de 1SP .
1SP	SPL... SPH	Temperatura de conmutación (valor que se desea mantener en la cámara).
1CM	HY; PID	Modalidad de control. Con 1CM=HY se selecciona la regulación con histeresis: en el control se utilizan los parámetros 1HY , 1T0 y 1T1 . Con 1CM=PID se selecciona la regulación Proporcional-Integral-Derivada: en el control se utilizan los parámetros 1PB , 1IT , 1DT , 1AR , 1CT .
1CH	REF; HEA	Modo de regulación en refrigeración (REF) o calentamiento (HEA) de la salida 1.
1CM=HY	1HY	Diferencial del termostato. Con 1HY=0 la salida siempre se queda apagada.
	1T0	Tiempo mínimo de apagamiento Después de un apagamiento, la salida 1 se queda desactivada para 1T0 minutos, a cualquiera temperatura.
1CM=PID	1T1	Tiempo mínimo de activación. (El parámetro sucesivo será 1PF). Después de una activación la salida 1 se queda activada para 1T1 minutos, con cualquiera temperatura.
	1PB	Banda proporcional. El control de la temperatura se realiza variando el tiempo de ON de la salida: más la temperatura está cerca del setpoint, menor será el tiempo de activación. Una banda proporcional pequeña aumenta la rapidez del sistema en relación a las variaciones de temperatura, pero lo hace menos estable. Un control simplemente proporcional estabiliza la temperatura al interior de la banda proporcional, pero no anula el alejamiento con respecto al setpoint. Con 1PB=0 la salida siempre se queda apagada.
1CM=PID	1IT	Tiempo de la acción integral. La inserción de una acción integral en un control proporcional anula el error en régimen de funcionamiento. El tiempo de la acción integral determina la velocidad con la que se alcanza la temperatura de régimen de funcionamiento, pero una velocidad alta (1IT bajo) puede causar sobreelongación e inestabilidad en la respuesta. Con 1IT=0 el control integral se desactiva.
	1DT	Tiempo de la acción derivada. La inserción de una acción derivada en un control proporcional-integral, disminuye la sobreelongación en la respuesta. Una acción derivada alta (1DT alto) hace que el sistema sea muy sensible a las pequeñas variaciones de temperatura y puede conducir a la inestabilidad. Con 1DT=0 el control derivado se desactiva.
1AR	0...100%	Reset de la acción integral referido a 1PB . Disminuyendo el parámetro 1AR disminuye la zona de acción del control integral y, por consiguiente, la sobreelongación (véase la figura en el párrafo 1IT).
1CT	1...255s	Tiempo de ciclo. Es el periodo al interior del cual el tiempo de ON de la salida varía. Cuanto más prontamente el sistema que tiene que ser controlado responde a las variaciones de la temperatura, tanto menor tiene que ser el tiempo de ciclo, para obtener más de estabilidad de la temperatura, y menor sensibilidad a las variaciones de carga.
1PF	ON/OFF	Estado de la salida con sonda defectuosa.
OAU	NON; THR; AL0; AL1	Funcionamiento de la salida auxiliar AUX. NON: salida inhabilitada (siempre apagada). (El próximo parámetro será ATM). THR: salida programada como segundo termostato. (El próximo parámetro será 2SM). AL0: apertura de los contactos cuando se presenta una condición de alarma. (El próximo parámetro será ATM). AL1: Cerrazón de los contactos cuando se presenta una condición de alarma. (El próximo parámetro será ATM).
OAU=THR 2SM=ABS	2SM	Modalidad setpoint 2 El setpoint 2 puede ser absoluto (2SM=ABS), o un diferencial relativo al setpoint 1 (2SM=REL).
	2SP	SPL...SPH Temperatura de conmutación de la salida auxiliar (El próximo parámetro será 2CH).

OAU=THR 2SM=REL	2DF	-19.9...19.9° 	Diferencial de temperatura con respecto a 1SP . El setpoint de la salida auxiliar corresponde a 1SP+2DF Control ON/OFF en refrigeración. Setpoint 2 relativo al setpoint 1 (OAU=THR, 2CH=REF)
	2CH	REF; HEA	Modo de regulación en refrigeración (REF) o calentamiento (HEA) de la salida auxiliar.
	2HY	0...19.9°	Diferencial del termostato 2. Con 2HY=0 la salida auxiliar siempre se queda apagada.
	2T0	0...30min	Tiempo mínimo de apagamiento. Después de un apagamiento, la salida 2 se queda desactivada para 2T0 minutos, a cualquiera temperatura.
	2T1	0...30min	Tiempo mínimo de activación. Después de una activación la salida 2 se queda activada para 2T1 minutos, a cualquiera temperatura.
2PF	ON/OFF	Estado de la salida 2 con sonda defectuosa.	
ATM	NON; ABS; REL	Gestión de los umbrales de la alarma. NON: todas las alarmas de temperatura están suspendidas. (El parámetro sucesivo será SB) ABS: Los valores programados en ALA y AHA representan los umbrales reales de alarma REL: Los valores programados en ALR y AHR son los diferenciales de alarma respecto a 1SP y 1SP+1HY 	Control ON/OFF en calefacción. Setpoint 2 relativo al setpoint 1 (OAU=THR, 2CH=HEA)
	ALA	-50°...AHA	Umbral de alarma de baja temperatura.
ATM=ABS	AHA	ALA...150°	Umbral de alarma de alta temperatura.
	ALR	-12.0...0°	Diferencial de alarma de baja temperatura. Con ALR=0 se desactiva la alarma de baja temperatura.
ATM=REL	AHR	0...12.0°	Diferencial de alarma de alta temperatura. Con AHR=0 se desactiva la alarma de alta temperatura.
	ATD	0...120min	Retardo en la señalización de la alarma de temperatura.
SB	NO/YES	Habilitación del botón Stand-by .	
INP	0mA/4mA, T1/T2 ST1/SN4	Selección del sensor en entrada. (ver tabllila características de entrada) <i>solamente en lo modelos AC1-27A... AC1-27J..., AC1-27T...</i>	
RLO	-19.9...RHI	Alcance mínimo de la escala (<i>solamente en los modelos AC1-27A... AC1-27J...</i>). Se asigna a RLO el valor mínimo medurado con el transmisor (correspondiente a 0V, 0/4mA)	
RHI	RLO...99.9	Alcance máximo de la escala (<i>solamente en los modelos AC1-27A... AC1-27J...</i>). Se asigna a RLO el valor máximo medurado con el transmisor (correspondiente a 1V, 20 mA).	
OS1	-12.5...12.5°	Corrección medición sonda T1.	
TLD	1...30min	Retardo en la memorización de las temperaturas mínimas (TLO) y máximas (THI) alcanzadas.	
SIM	0...100	Deceleración pantalla.	
ADR	1...255	Dirección de AC1-27 para la comunicación con el PC.	

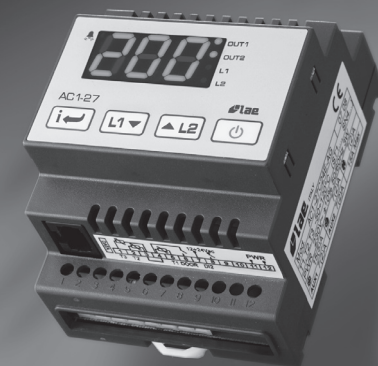
CARACTERÍSTICAS ENTRADA

MODELO	ENTRADA	RANGO DE MEDICIÓN [PRECISIÓN DE MEDICIÓN]		
		SCL=1°C	SCL=2°C	SCL=°F
AC1-27A...	0+1V	RLO+RHI [$\pm 3mV$]		---
AC1-27I...	INP = 0mA	RLO+RHI [$\pm 0.2mA$]		
	INP = 4mA	---		
AC1-27J...	INP=T1	TC "J"	---	-50+750°C [$\pm 3^\circ C$]
	INP=T2	TC "K"	---	-50+999°C [$\pm 3^\circ C$]
AC1-27P...	PT100	-50/-19.9+99.9/150°C [$\pm 0.3^\circ C$]	-100+850°C [$\pm 1^\circ C(-50+850), \pm 2^\circ C$]	-150+999°F [$\pm 4^\circ F$]
AC1-27T...	INP=ST1	PTC 1000 Ω (LAE ST1...)	-50/-19.9 + 99.9/150°C [$\pm 0.3^\circ C(-30+130), \pm 1^\circ C$]	-50 + 150°C [$\pm 0.3^\circ C(-30+130), \pm 1^\circ C$]
	INP=SN4	NTC 10K Ω (LAE SN4...)	-40/-19.9 + 99.9/125°C [$\pm 0.3^\circ C(-40+100), \pm 1^\circ C$]	-40 + 125°C [$\pm 0.3^\circ C(-40+100), \pm 1^\circ C$]

ESQUEMAS DE CONEXIÓN



AC1-27



INSTRUCTIONS FOR USE

lae
ELECTRONIC

VIA PADOVA, 25
31046 ODERZO /TV /ITALY
TEL. +39 - 0422 815320
FAX +39 - 0422 814073
www.lae-electronic.com
E-mail: sales@lae-electronic.com

DATOS TÉCNICOS

Alimentación
AC1-27...D 12Vac/dc $\pm 10\%$, 2W
AC1-27...E 230Vac $\pm 10\%$, 50/60Hz, 2W
AC1-27...U 110Vac $\pm 10\%$, 50/60Hz, 2W

Salida Relé (AC1-27..R..)

OUT1 16(4)A
OUT2 16(4)A

Pilotaje SSR (AC1-27..M..)

OUT1 15mA 12Vdc

Entradas

ver la tabllila características entrada

Rango de medición

ver la tabllila características entrada

Precisión de medición

ver la tabllila características entrada

Condiciones de funcionamiento

-10 ... +50°C; 15%...80% H.R.

CE (Normativas de referencia)

EN60730-1; EN60730-2-9;
EN55022 (Clase B); EN50082-1

Protección frontal

IP55

AC1-27

INSTRUCTIONS FOR USE

INSTRUCCIONES DE USO



0LAC1002-02