

BR1-28

107 x 95 x 47 mm

Clever Split Refrigeration Controller with RTC



Main features

- Up to six real time defrosts per day
- Enhanced ECO Energy Saving management
- Optional compressor variable speed control
- Suitable for R290
- Up to 2 auxiliary configurable outputs (Light, switched loads, second evaporator etc.)
- Universal mains power supply
- Connectivity to hard-wired supervisory systems
- Many display options: coloured LED's with DU5S, capacitive touch TU5S or high contrast LCD, fully customised
- UL approved

Applications

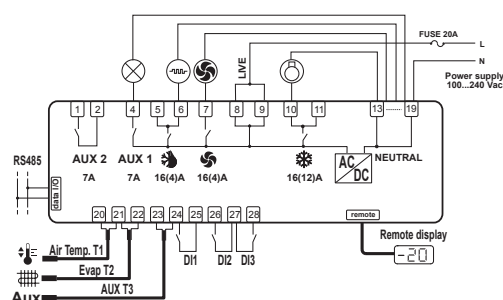
Upright refrigerators, plug-in and supermarket display cases, cold stores, control panels.

BR1-28 series

Functions		B0Q3W-A	C1S4WH-B	C1S5W-B
Temperature inputs	Thermostat	•	•	•
	Evaporator	•	•	•
	Auxiliary		•	•
D11, D12 digital inputs	Voltage free contact	•	•	•
D13 aux. digital input	Voltage free contact/defrost synchronization		•	•
Outputs	Thermostat	•	•	•
	Evaporator fans	•	•	•
	Defrost	•	•	•
	Auxiliary 1		•	•
	Auxiliary 2			•
Connections	Quick with M/F connectors	•		
	Screw terminals		•	•
Power supply	100÷240Vac	•	•	•
	7÷30Vdc			
R290 option			•	
Aux functions	TTL serial port	•		
	RS485 serial port		•	•

› All models come with an alarm buzzer.

› In order to know more options available, please consult LAE or our local dealer.



Technical Data

Range	-50÷110°C, -58÷180°F
Resolution	0.1 / 1 °C; °F
Precision	<±0.5°C within the measurement range
Sensor type	NTC10, standard mod. SN4B20P1/P2/P3
Power supply	100÷240Vac ±10% 50÷60Hz 3W
Ambient temperature	-10÷50°C